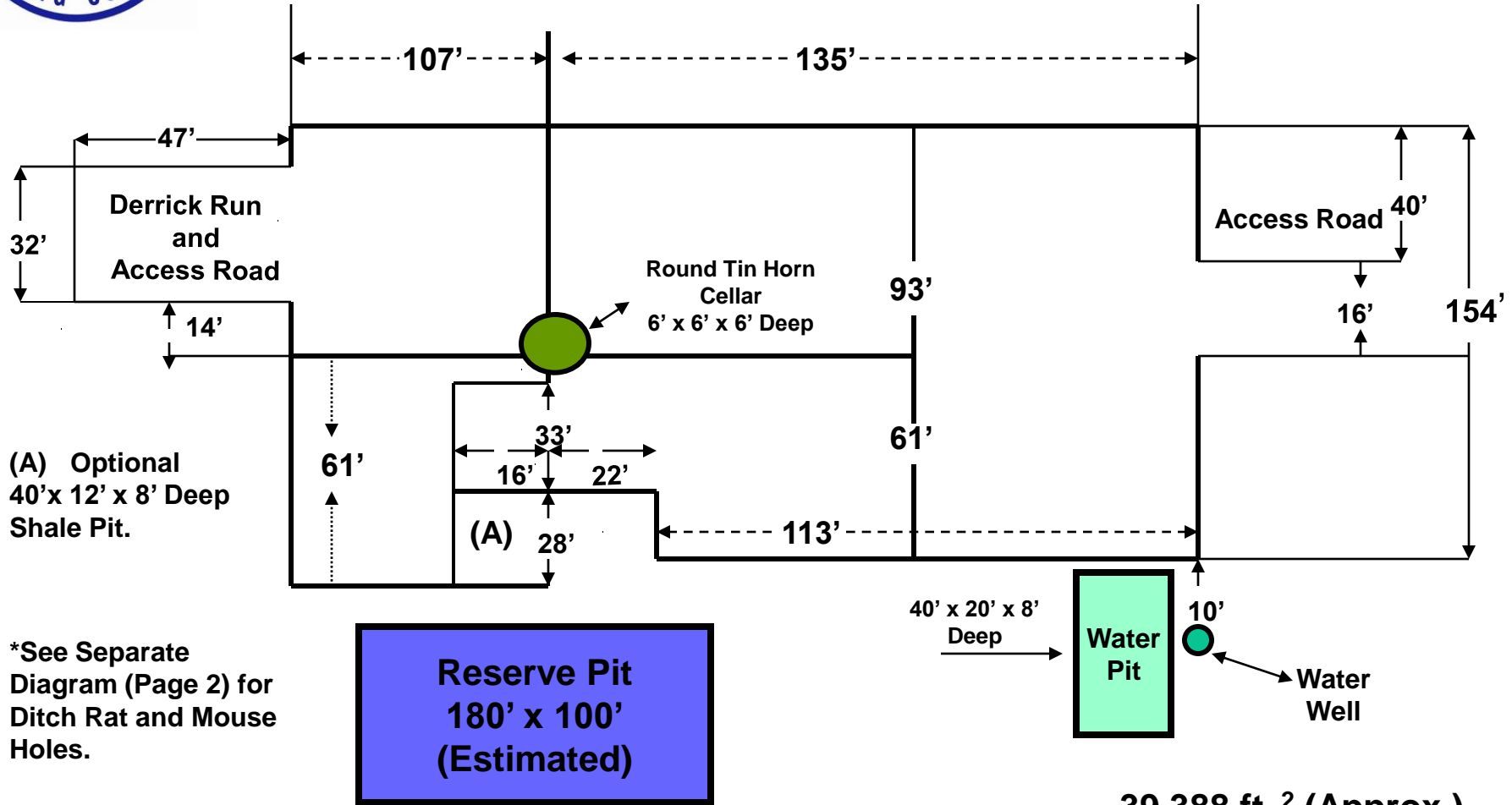




**BIG "6" DRILLING COMPANY
LOCATION SPECIFICATIONS
RIG #6**



(A) Optional
40' x 12' x 8' Deep
Shale Pit.

*See Separate
Diagram (Page 2) for
Ditch Rat and Mouse
Holes.

**Reserve Pit
180' x 100'
(Estimated)**

Water Pit
40' x 20' x 8'
Deep

Water Well

39,388 ft. ² (Approx.)

**NOTE: Leave 3 Bundles of Loose Boards
On Location to Level Rig and Strip Pipe
Racks.**

NOTE: Not Drawn to Scale.